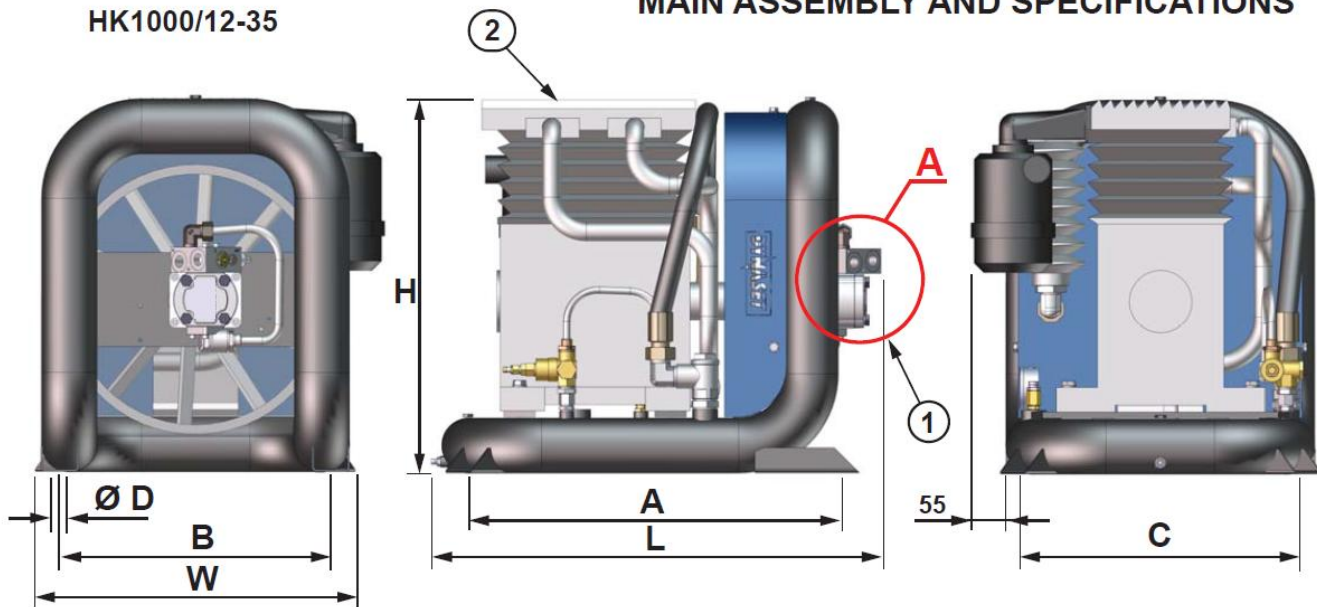


HK1000/12-35

### MAIN ASSEMBLY AND SPECIFICATIONS



MODEL	DIMENSIONS, mm							WEIGHT	OIL FILL
	L	W	H	A	B	C	D	kg	l
HK 1000/12 - 35	725	490	605	610	430	445	13	82	3,1

SPECIFICATIONS			min			nom			max			CONNECTIONS		
HYDRAULIC FLOW	l/min		15	35	50	HYDRAULICS			COMPRESSED AIR					
HYDRAULIC PRESSURE	bar			135	280	P	T		AP					
HYDRAULIC PRESS. ON IDLE RUN	bar		100			pressure	return							
AIR FLOW	l/min/12 bar		1000			BSP 1/2"	BSP 1/2"		BSP 1"					
AIR PRESSURE	bar		12											

#### HK1000/10-35 OPTIONS (type code):

- Electric pressure switch (E)
- Pneumatic cut off (PNE)
- Cyclone filter (Y)

